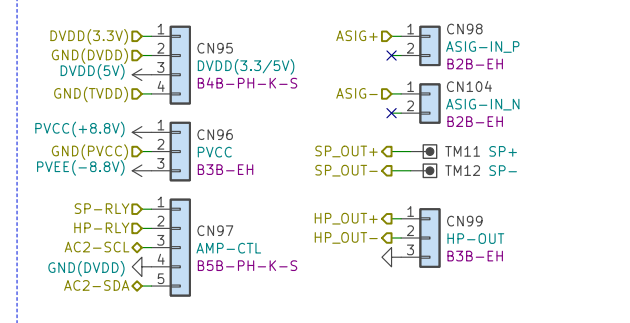


Connectors



Title: HiResAmp(PowerAmp)

Denshi Usagi <https://xn--p8jq4215bemxd.com>

Size: A4 Date: 2020-05-18

Rev: 1.00

KiCad E.D.A. kicad (5.1.5)-3

Page: 14/18