

Specifications

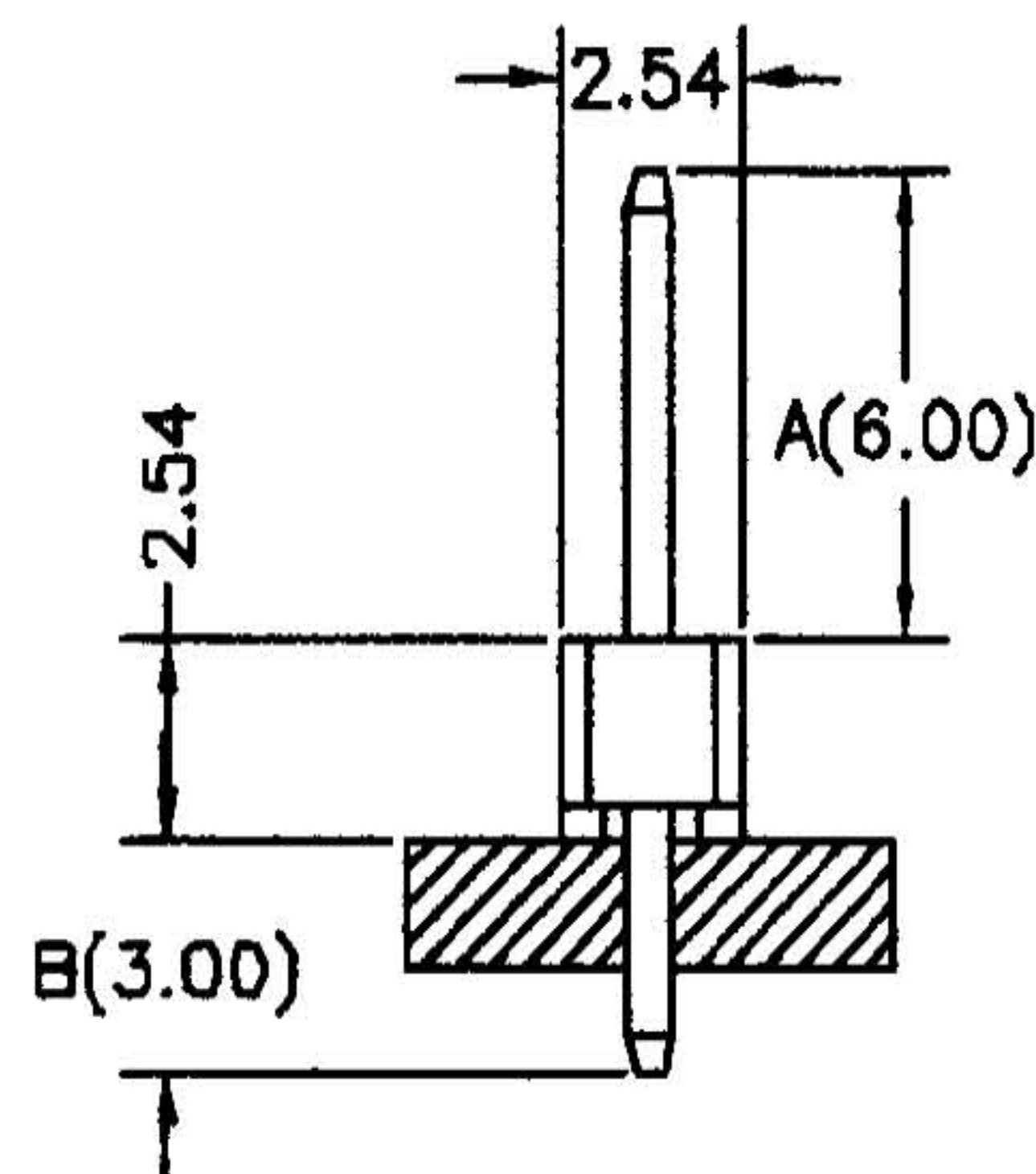
Current Rating : 3 Amps
 Insulator Resistance : 5,000 Mohm min.
 Dielectric Withstanding : AC 1,000V
 Operating Temperature : - 40°C ~ + 105°C

Materials

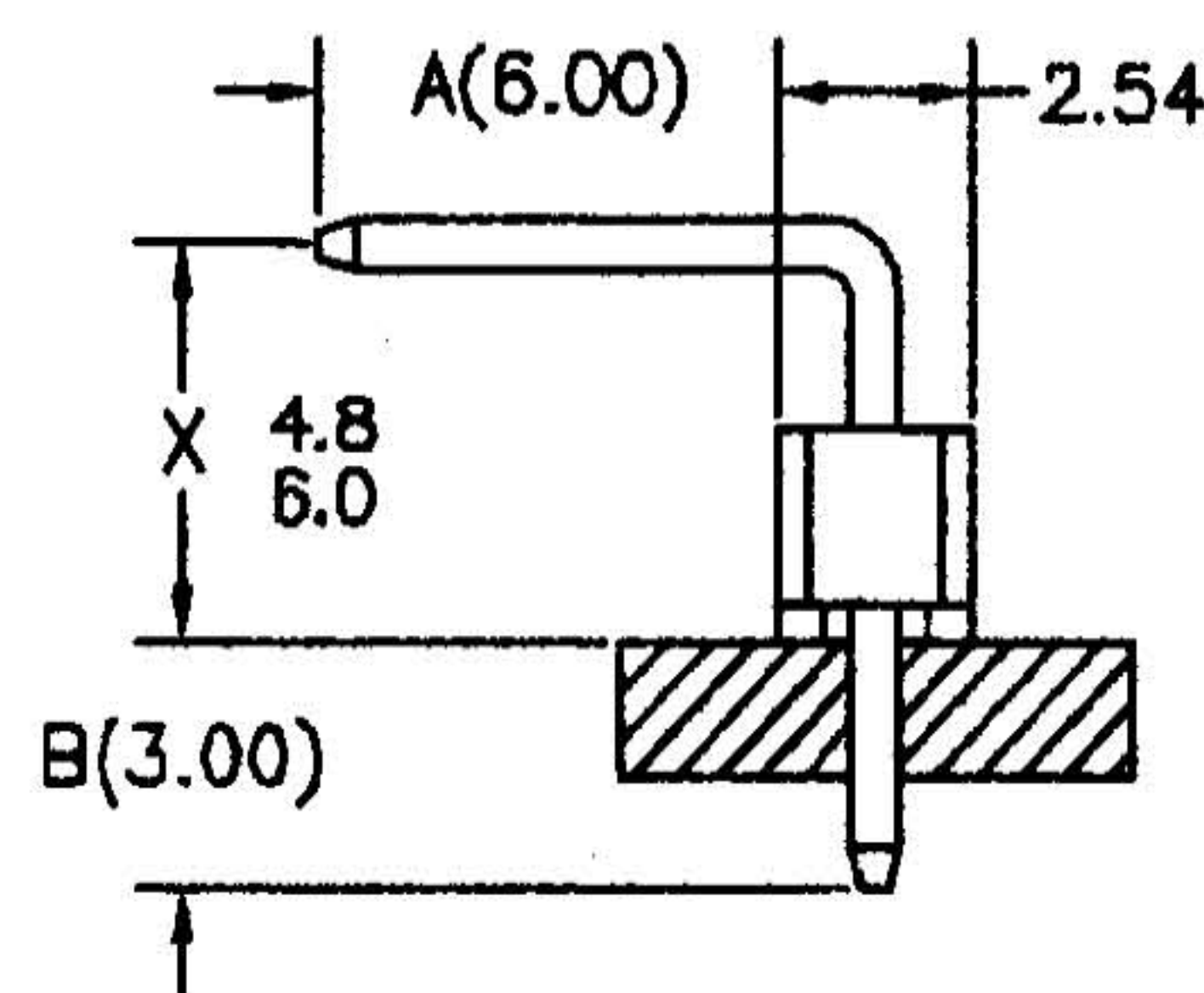
Contact : Brass or Phosphor Bronze
 (Standard : Brass)
 Insulator : Polyster, UL 94V-0
 (Standard : PBT)

RoHS compliance

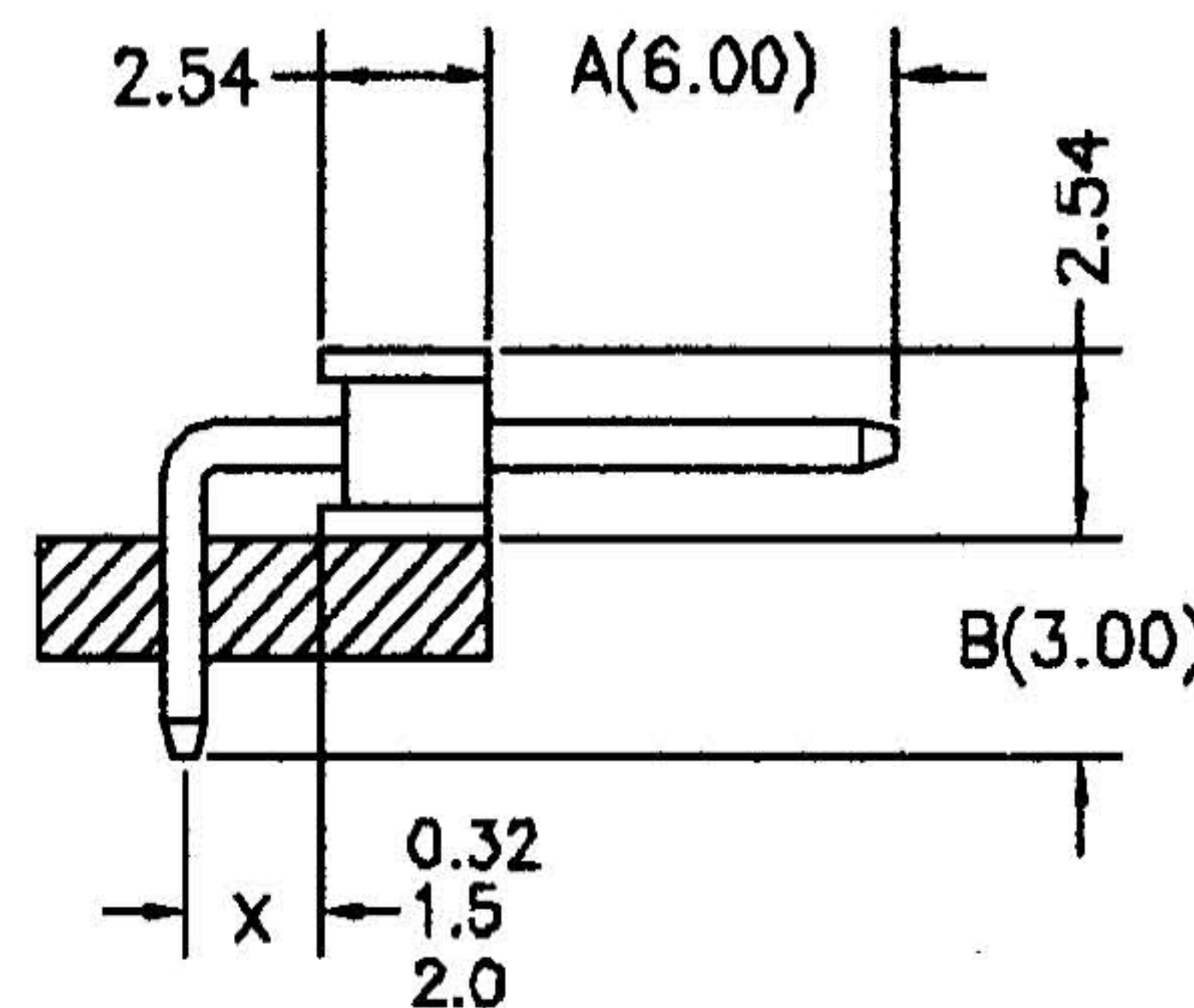
G1 = 5u", G2 = 10u", G3 = 15u", G4 = 30u" Gold plated



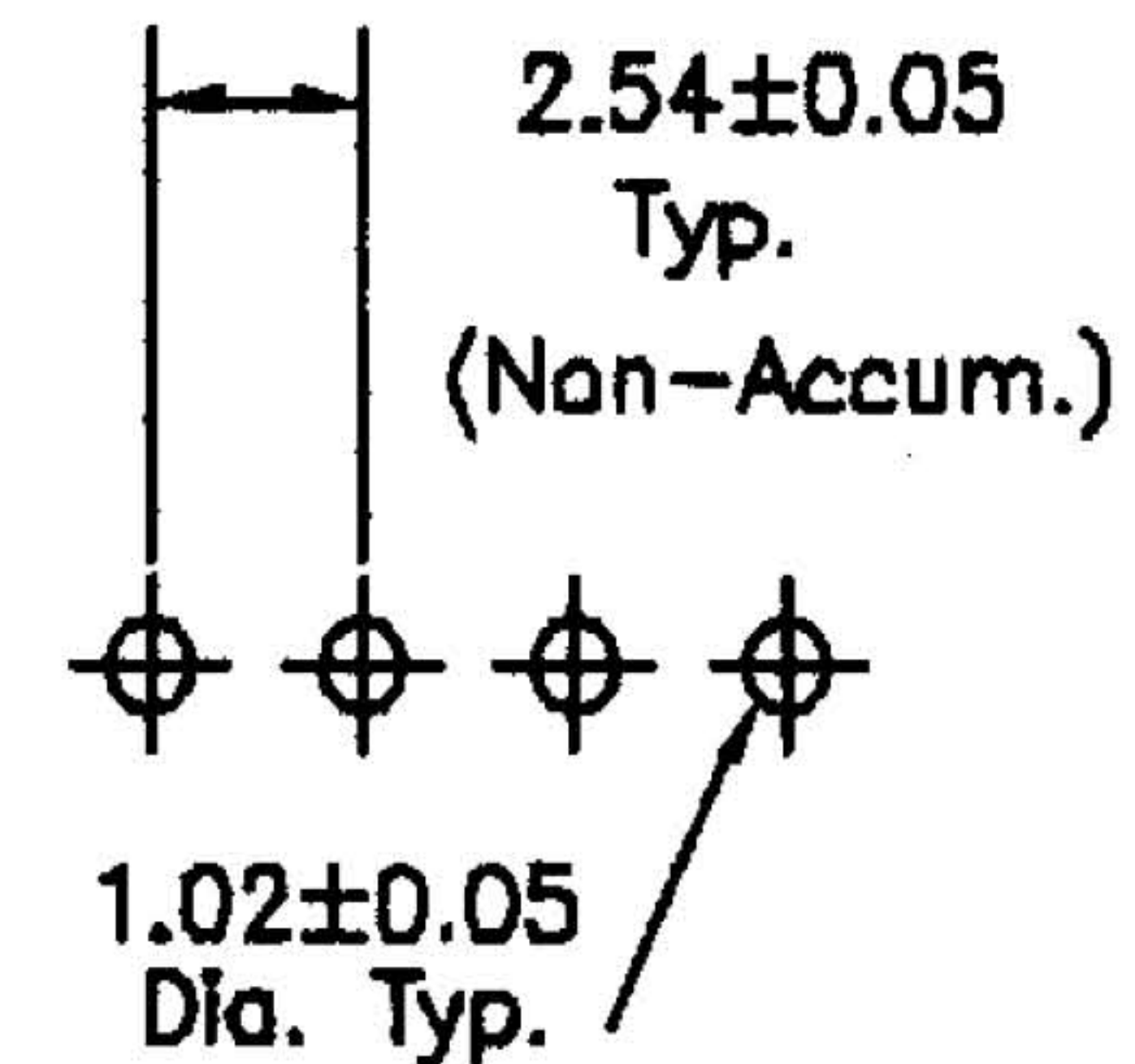
Straight



R/A Type 1



R/A type 2



Recommend PCB Layout

E				DRAWN:	GENERAL TOLERANCE:			DESCRIPTION: 2.54mm Pin Header Strip, Single Raw	SIZE A4
D					.0	.00	.000		
C				CHECKED:	+/-0.20	+/-0.15	+/-0.05		
B					UNIT : MM				
A	11-Mar-05	New release		APPROVAL:	SCALE :				
REV	DATE	FILE	BY		SHEET : 1 / 1			PART NO : PH-1xXXSG (RG)	